



**TSC500**  
Maintenance free flexible coupling alternative  
<https://twinspringcoupling.com>

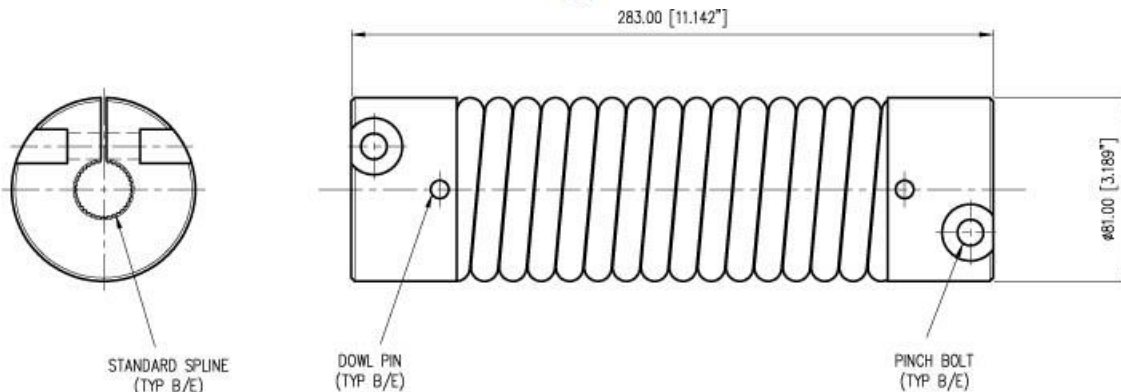
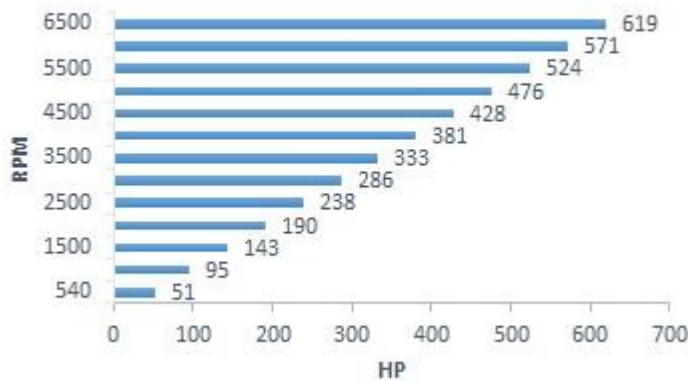
## Twin Spring Coupling TSC500 mechanical power transmission coupling

A new maintenance free alternative to Universal, Jaw and elastomeric couplings

- High speed Up to 7000 rpm,
- High torque Up to 500ft lbs./495Kw@7000
- No internal bearings or inserts means no maintenance
- Larger angle of usage Up to 35°
- Able to absorb impacts and vibration with its twin spring design
- Multi directional high-low speed design
- ½" to 2 ¼" (13 - 58mm) shaft sizing, Keyway, PTO, Square and Hex splines.
- 4140 Alloy steel or T6061 T6 Aluminum construction



### TSC500 HP rating



## Replaces

**Ruland** – UJ-HD1250, UJ-HS1125, JC jaw, MJC jaw couplings.

**Guardian Couplings** – [Curved jaw 28/38](#) Green, 38/45 Red, 42/55 White, 48/60 White, Guardex M-80, Guardex I-65, LJW L150, LJW L190, LJW L225.

**TB Woods** – Dura-Flex WE 40, L150, AL150, SS150, L190, L225, L276, G-Flex grid coupling 1000T10 - 1000T20- 1050 & 1060.

**Lovejoy** – [L110](#), [L150](#), [L190](#), [D-7B](#), [D-8B](#), [NB-8B](#), [NB-10B](#), [DD-7B](#), [LOJ-10B](#), C226, C276 , CJ 55/70, CJ 65/75 (92A) CJ 42/55, CJ 48/60, CJ 55/70 (98/95A), CJ 42/55, CJ 48/60 (64D), [Uniflex U-150R](#), Saga S18, S-Flex 8-12, Delta-Flex 50HT/60, Grid 1040.

**Belden** – [UJ-HD2000](#), [UJ-HD2500](#), [UJ-HS1750](#), [UJ-HS2000](#), [UJ-NB2000x1000](#), [SS-UJ-NB2000x1000](#).

**Curtis** - CJ648B.

**KTR** - Rotex AL-H 38/42/48 (42-92A) 48-92A, GJL 42/48/55/65 (48 92-98/55 92-98) (65 -92A).

**SKF** – FRC130, SKF Flex 100, UJMA40, 2200, UJ344AG, UJ814, UJ815.

**Boston Gear** – FC45 XFCA Poly, J200B, UJAS 16-16, UJNL 24-24.

**Rexnord** - Omega E/ES30, E/ES40, Omega HDY 30, Viva V190 - V215,

**Falk** - Wrapflex 30R, Steelflex 1040T10, 1040T20.

**Dodge** - Grid-Lign 1040T10, 1040T20.

**Kop-Flex** - Kop-Grid 1040H, 1040V.

**SIT** – GU7P, GU7E, GU7H, Trasco ES 75 red and green

**Martin** - Quadra Flex Size 11 Thermo Plastic Rubber (TPR), Size 8 Hytrel.

**Ringfeder** - GWE Z5106.1, GWE Z5104.1, GWE 5104

**GAM** - EKZ series, KM series, KP series, KG series.

**Spicer** - 5-3214X, 5-3235X, 5-554X, 5-129X, 1240

**Neapco** - 1-1875, 1-2075, 2200, 1-0005, 2-2421.

**Moog** - 344, 880, 882, 814, 1300

**GMB** – GGPL-14R

**Rockwell** - L14N.

**Weasler** - 200-8474, 200-1400, 14 series, 14R, 200-1875, 200-7676, 200-6580, 3010-6606-00, 3009-7606-00, 3009-6406-00, AW21 series, AB4 Series.