



Twin Spring Coupling TSC300– Mechanical power transmission coupling to replace U joints & Jaw couplings

The Twin Spring Coupling offers the following advantages over a Universal joint or a L Jaw type coupling.

- No internal components that need to be greased and replaced when worn
- Flexible to 25°
- One-piece design so no broken yokes or hubs.
- Twin torsion springs makes it torsionally rigid at high speed
- No wear parts like spiders or bearings to replace

Where would you use this?

- Customers looking for a coupling that handles a large degree of misalignment but DON'T want the maintenance overhead of using Universal Joints
- Customers who use Jaw type coupling but the internal spider keeps wearing out due to the angle of misalignment.
- Customers who use couplings in a 24/7/365 situation (like conveyor belts) that any downtime due to bearing failures, worn spiders' costs \$\$\$\$
- Customers who equipment is damaged due to vibration of failed couplings or frequent/infrequent variations in angle of misalignment (conveyor belts where the objects vary in weight).

Twin Spring Coupling offers 3 different torque rated couplings [TSC150](#), [TSC300](#) & [TSC 500](#) available in all spline types and sizes.

The TSC300 replaces

Lovejoy – D7, DD7, NB7, DD7, L225, C226

Tsubaki – L150, L190, L225, NEF45W, LN38

Guardian Couplings – LJW L190, LJW L225

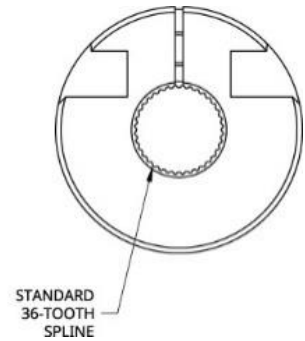
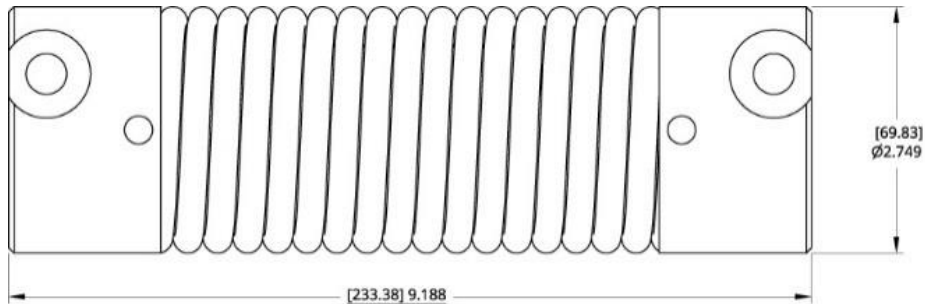
TB Woods – Dura Flex WE20, WE30, L Jaw L225, G Flex grid coupling 1000T10 1040, 1050, 1000T20 1040, 1050

SKF - PHE UJMA32, PHE L225HUB

R+W America –BK2 300, BKH 300, BKL 300, BKC 300, EK1 300, EK2 300, EK6 300, EKH 300,

Belden - UJ-HD UJ-HS Needle-Bearing universal joints UJ-NB MIL-DTL-6193D MS20270 (Military specs)

Ruland – US, USS, USK, MUS, MUSSK, USC, USKC Ranges



TSC300 HP rating



Available in Keyway (1/2" to 1 1/2", all standard industry different keys) Square/Hex, Unbored

For more information please call us on 718 938 1950 or email info@twinspringcoupling.com

Visit our web site at <https://twinspringcoupling.com/industries/industrial-coupling/>